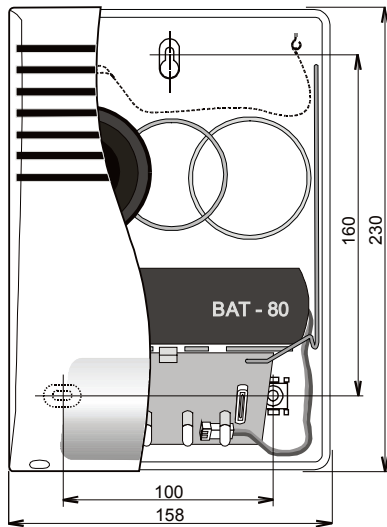


# The JA-180A wireless outdoor siren

The JA-180A is a component of the JABLOTRON 100 system. It is designed to sound an external alarm and to indicate any tampering it experiences. It is powered by a long-life lithium battery and communicates wirelessly using Jablotron protocol. An additional power supply is not required.

**LED ON / OFF** enables short flashes of the siren every 60 seconds (= position ON). If OFF is selected, the siren will flash only while indicating an alarm.

**JABLOTRON**  
CREATING ALARMS



## Installation

The siren should be installed by a certified installer. It should be located on a vertical wall with its flashing light facing downwards. The siren should not be shielded by any metal which could block radio communication.

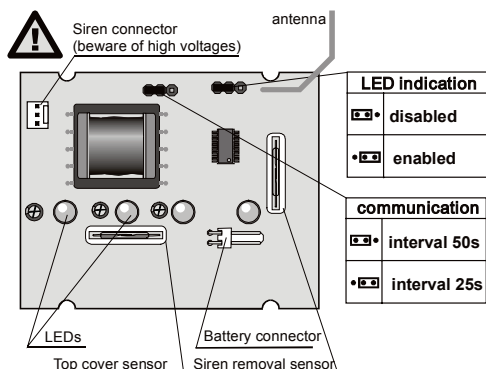
1. **Open the siren cover** (2 screws on the bottom side)
2. **Attach the siren** to the desired location (3 screws)
3. Select the desired **optional features via the internal jumpers** (see the following description)
4. **Enroll the siren to the control panel** as follows
  - a) There must be a JA-110R radio module installed in the control panel.
  - b) Go to the **F-Link** program, select the required position in the **Devices** window and launch the enrollment mode by clicking on the **Enroll** option.
  - c) **Connect up the battery** cable in the siren – (the light will flash and after a while it will turn off = enrollment finished)
5. **Reinstall the external cover**

### Notes:

- Only one JA-180A siren can be enrolled to the JABLOTRON 100 control panel
- If the siren **continues flashing** it has not been enrolled – check if the control panel is in enrollment mode and if it has its antenna connected. The siren should be at least 2 meters away from the control panel during enrollment.

## Jumpers

**50 / 25** selects how often the siren checks the status of the system. In normal operation the siren saves battery power by turning its receiver off. It then turns on again periodically to check for alarms in the system every 25 or 50 seconds (selectable). The 50 second period not only extends the siren's maximum reaction delay but also its battery life. The alarm length in **F-Link / System settings / Parameters** has to exceed the time which has been set by this jumper.



## Function

If there is an external alarm in the control panel, the siren will start sounding and flashing (can be delayed – see the 50/25 jumper). The siren will sound for a maximum of 3 minutes (unless the control panel alarm period is shorter) and its light will flash 30 minutes longer. Siren indication can also be stopped by ending the alarm in the control panel.

### The siren reacts to EW signal, not to IW.

When the siren has not been assigned to any section then the control panel does not react to the siren tampering but a burglar alarm (EW) is signalled by the siren.

A Low batt report is sent only if the siren is assigned to any section.

When the section into which the JA-180A siren has been assigned is set and is tampered with, the siren will send a tamper signal to the system and the siren starts sounding.

When the section with an assigned siren is unset and the siren is tampered with, a tamper alarm is triggered as well but without acoustic signalling.

**Warning** – beware of electrical shocks when the siren sounds (it generates a high AC voltage – do not touch any internal parts). Switch the system to service mode before performing any maintenance on the siren. Remember, that the siren can start sounding and flashing anytime when its battery is connected.

## Testing

If you trigger an external alarm in the system, the siren should start working within 25 (or 50) seconds.

To measure the siren's signal strength open the Diagnostics tab in F-Link and activate the siren tamper sensor by opening its cover.

## Battery replacement

The siren checks its battery status and if it is going to be discharged soon it will inform the system (which will notify the user and service technician). The siren will continue to work, but its battery should be replaced within 2 weeks. Only use a Jablotron BAT-80 battery as a replacement.

**Never try to charge the battery.** When disposing of the used battery always follow local regulations.

## Removing the siren from the system

If you want to uninstall the siren, do not forget to erase it in the control panel to avoid any indication of lost communication with the siren. Do it using F-Link software.

## Specifications

Power	lithium battery, BAT-80 Jablotron 6 V, 11 Ah
Battery life time	Please note: Battery is not included calculated for max. 3 years (50 sec supervision)
Communication band	868.1 MHz, Jablotron protocol
Communicating distance	up to 300 m (open area)
Siren	piezo electric, 112 dB/1m
Max. duration of audible alarm	3 minutes
Max. duration of flashing during alarms	30 minutes
Enclosure (EN 60529)	IP34D
EN 50131-1, EN 50131-4, EN 501321-5-3	grade 2
Operational temperatures	-25 to +60°C
Operating environment	class IV.
Dimensions, weight	230 x 158 x 75 mm, 850 g
Complies with	ETSI EN 300220, EN 50130-4, EN 55022, and EN 60950-1
Can be operated according to	ERC REC 70-03



JABLOTRON ALARMS a.s. hereby declares that the JA-180A is in a compliance with the relevant Union harmonisation legislation: Directives No: 2014/53/EU, 2014/35/EU, 2014/30/EU, 2011/65/EU. The original of the conformity assessment can be found at [www.jablotron.com](http://www.jablotron.com) - Section Downloads.



Note: Although this product does not contain any harmful materials we suggest you return the product to the dealer or directly to the producer after use.

JABLOTRON ALARMS a.s.  
Pod Skalkou 4567/33 | 46601 | Jablonec n. Nisou  
Czech Republic | [www.jablotron.com](http://www.jablotron.com)