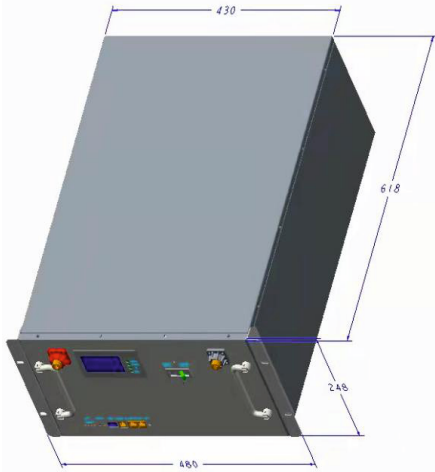




LP LiFePO₄ 48V - 230 Ah (Smart BMS 200A) LCD RM



ELECTRICAL SPECIFICATIONS

Model	BW-48230
Nominal Voltage	51.2V
Nominal Capacity	230Ah
Energy	11776Wh
Self Discharge	<3%/month
Series or Parallel Connection	16S1P

MECHANICAL SPECIFICATIONS

Dimensions (L x W x H)	480*248*618mm
Weight	95kg (209.4 lbs)
Communication Interface	RS485/CAN (Optional)
Case Material	Metal
Enclosure Protection	IP54
Cell Type - Chemistry	prismatic
Chemistry	LiFePO ₄

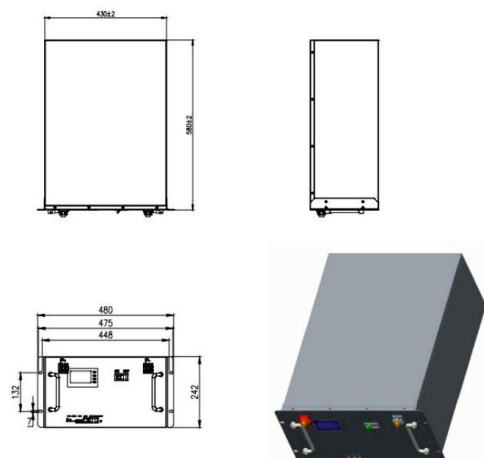
COMPLIANCE SPECIFICATIONS

Certifications	CE (pack), UN3480/MSDS (cell)
Shipping Classification	UN3480, Class 9

Applicable to

Home energy storage, backup power supply

DIMENSION SPECIFICATION



CHARGE SPECIFICATIONS

Recommended Charge Current	50A-100A
Maximum Charge Current	200A
Charge Current (-20 to -10 °C)	≤0.05C
Recommended Charge Voltage	56V-57.6V
BMS Charge Voltage Cut-Off	57.6V (3.75±0.025vpc)
Reconnect Voltage	54.6V (3.34 ±0.05vpc)

DISCHARGE SPECIFICATIONS

Maximum Continuous Discharge Current	200A
Peak Discharge Current	230A (<5s)
BMS Discharge Current Cut-Off	230A
Recommended Low Voltage Disconnect	45V
BMS Discharge Voltage Cut-Off	43.2V (2.5±0.05vpc)
Reconnect Voltage	51.2V (2.9±0.1vpc)

TEMPERATURE SPECIFICATIONS

Discharge Temperature	-20 to 60°C (-4 to 140 °F)
Charge Temperature	0 to 45°C (32 to 113 °F)
Storage Temperature (1month)	-20 to 60°C (-4 to 140 °F)
Storage Temperature (3months)	-20 to 45°C (-4 to 113 °F)
Storage Temperature (6months)	-20 to 25°C (-4 to 77 °F)