

Description



- Motion detector (PIR)
- Wall and ceiling installation
- 220° detection angle
- Particularly suitable for sides of properties, entrances and drives
- Automatic lighting control based on presence and brightness
- Sensor head can be adjusted horizontally by $\pm 90^\circ$, vertically by 90° upwards and 25° downwards
 - creating universal installation option and optimum setting of detection area
- Additional creep under protection
 - for 360° detection with 5 m diameter at installation height of 2.5 m. Can be operated via remote control
- Area limit via lens attachment
- Mixed light measurement suitable for the control of fluorescent, incandescent and halogen lamps
- Zero-cross switching for relay-saving switching and high lamp loads
- Instant start-up possible via factory preset
- A cover plate protects controls against manipulation
- Single-handed plug-in installation with captive screws
- RC 105 Pro, service remote control (optional)
- RC 105, user remote control (optional)
- Adjustable brightness switching value and switch-off delay
- Zero-cross switching for relay-saving switching and high lamp loads
- Teach-in of current brightness value possible via remote control
- Pulse function can be combined with staircase time switches (ELPA)
- Test function for checking detection area

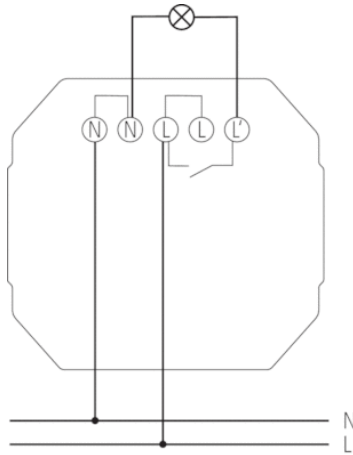
Technical data

Operating voltage	230 V AC
Frequency	50 – 60 Hz
Stand-by consumption	ca. 0,9 W
Light measurement	Mixed light measurement
Number of channels	1
Type of contact	NO contact
Installation type	Wall and ceiling installation
Setting range brightness	2 – 2000 lx
Switching capacity light	16 A (at 230 V AC, $\cos \varphi = 1$), 10 A (at 230 V AC, $\cos \varphi = 0.6$), 8 AX (at 230 V AC, $\cos \varphi = 0.3$)
Detection angle	220°
Installation height	2 – 4 m
Light switch-off delay	1 s-20 min
Incandescent lamp load	2300 W
Fluorescent lamp load (conventional) not corrected	900 VA
Fluorescent lamp load (conventional) parallel-corrected	400 VA 42 μ F
Fluorescent lamp load (conventional) series-corrected	900 VA
Fluorescent lamp load (conventional) lead-lag circuit	900 VA
Fluorescent lamp load (electronic ballast)	400 VA

Article number: 1050220

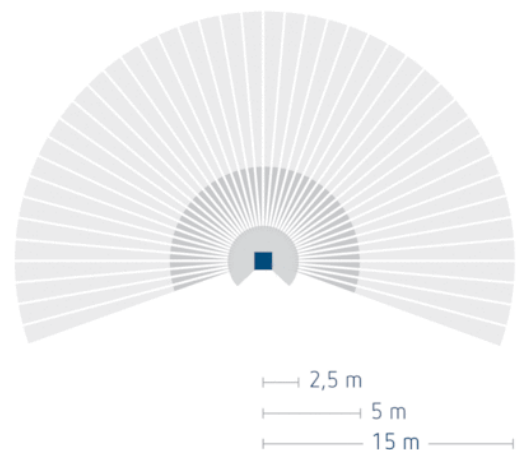
Energy saving lamps	9 x 7 W, 7 x 11 W, 7 x 15 W, 7 x 20 W, 7 x 23 W
Lamps	Incandescent/halogen lamps, fluorescent lamps, Energy saving lamps, LEDs
Ambient temperature	-25 °C ... +55 °C
Protection class	II
Type of protection	IP 55

Connection example

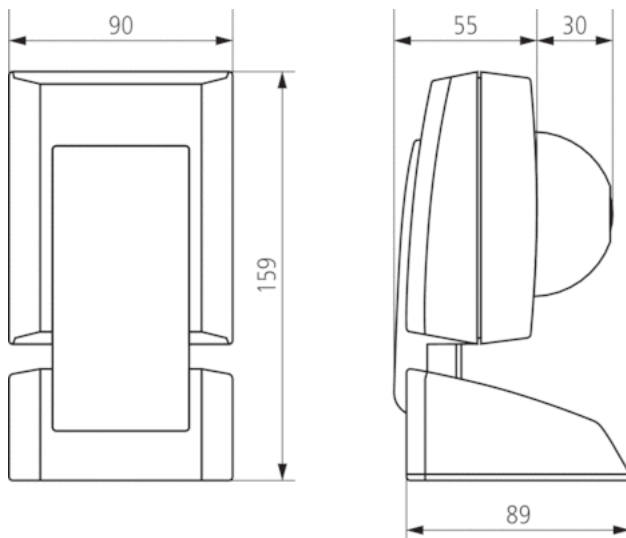


Detection range

Mounting height (A)	Head on to (r)	Diagonally (t)
2,5 m	5 m	15 m



Scale drawings



Accessories

SPHINX RC 105 Pro

- Article number: 9070537
Details ▶ www.theben.de



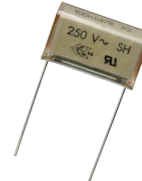
SPHINX RC 105

- Article number: 9070539
Details ▶ www.theben.de



RC filter

- Article number: 9070523
Details ▶ www.theben.de



SPHINX corner angle

- Article number: 9070535
Details ▶ www.theben.de

