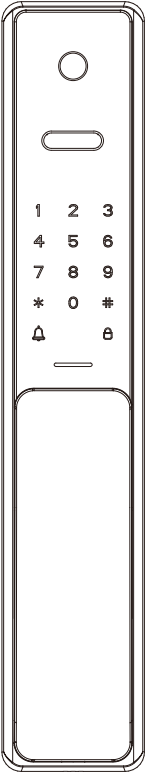


Installation Guide

Model: HBL400

Version: 1.0



Important Notes

1. Please read this Installation Guide carefully and contact the Customer Care Service if you have any questions about the installation.
2. To avoid any future service charges that can arise as a result of incorrect installation, it is recommended that installation can be performed by a professional technician to prevent any potential service charges that can occur due to incorrect installation.
3. We regularly revise the contents of this Installation Guide and update our products to enhance quality and performance without prior notice.
4. Do not install the batteries until the lock is installed.

Table of Contents

| | |
|--|----------|
| What's in the Box..... | 1 |
| Installation Diagram..... | 2 |
| Installation Procedure..... | 2 |
| 1. Door Properties..... | 2 |
| 2. Drill Holes on the Door..... | 3 |
| 3. Install Mortise and Cylinder | 4 |
| 4. Uninstall the OLED Screen and Mounting Plate..... | 4 |
| 5. Install Studs and Outdoor Unit..... | 5 |
| 6. Install Indoor Unit..... | 5 |
| 7. Install Batteries and Cover..... | 6 |
| 8. Install Strike Plate and Box..... | 6 |
| 9. Physical Test..... | 7 |

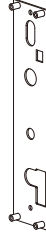
What's in the Box



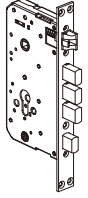
Outdoor Unit



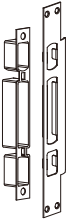
Indoor Unit



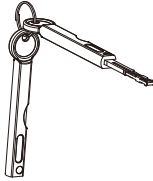
Mounting Plate



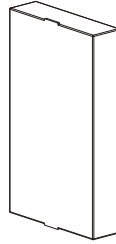
Mortise



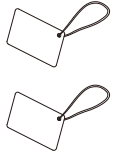
Strike Plate
and Box



Keys



Lithium Battery



Cards



Cylinder



Spindle A



Spindle B



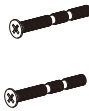
Metal Pin



Screw A



Screw B



Screw C

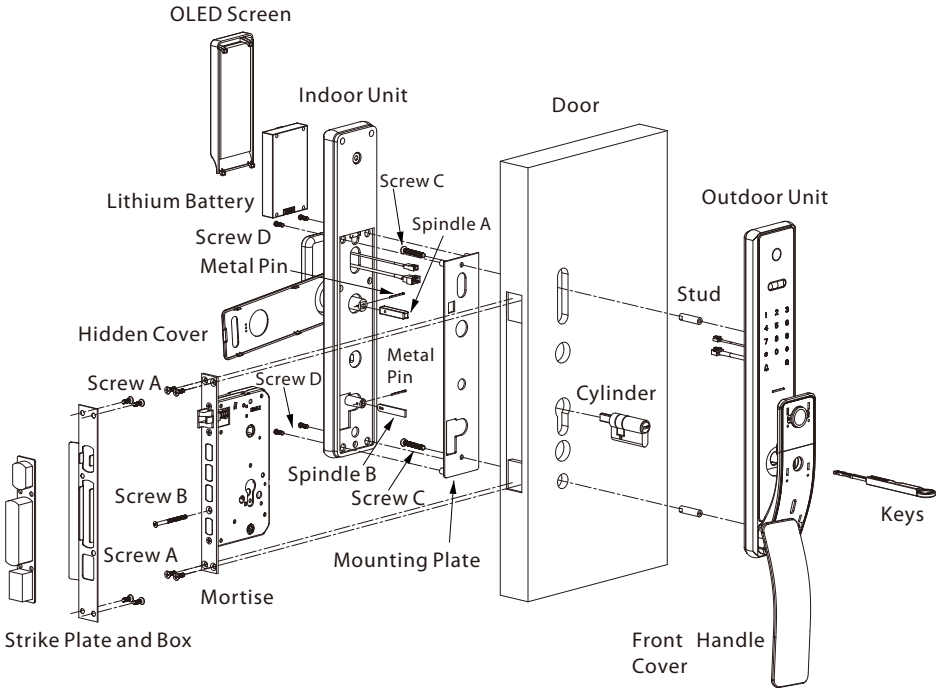


Screw D



Stud

Installation Diagram



Installation Procedure

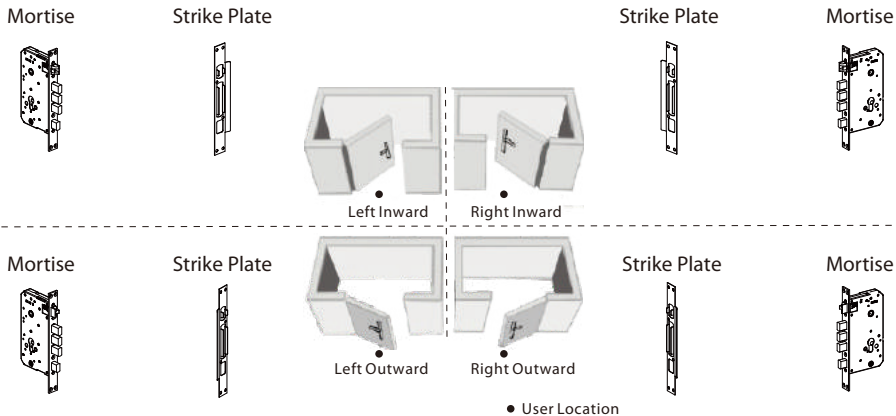
1 Door Properties

A. Measure the Door Thickness

Measure the thickness of the door and select the appropriate Spindle length. For further details, please refer the table on Page 1.

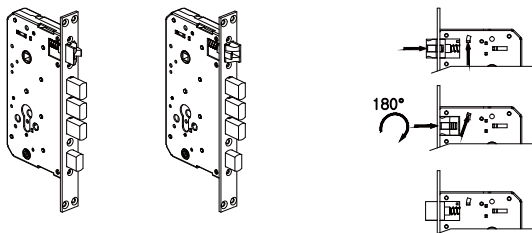
B. Check the Door Opening Direction

The position of the handle is determined by the opening direction of the door. Below is the graphical representation of the door opening direction in reference to your position outside the room.



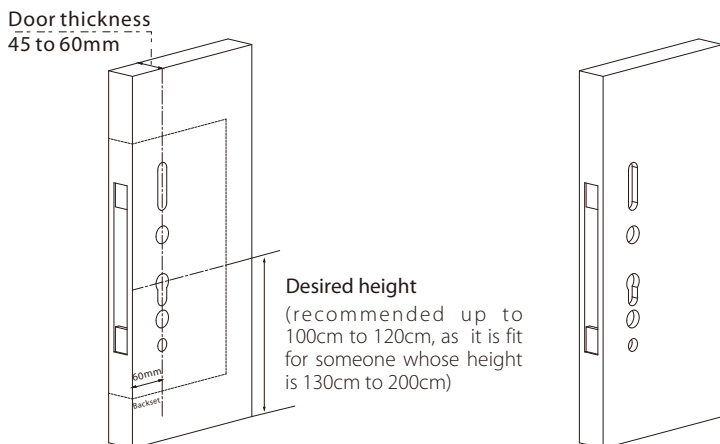
Adjust the Direction of Latch (if needed)

- 1) Push the reverse block in upward direction.
- 2) Push the bolt of the latch into the mortise.
- 3) Rotate the latch bolt to 180° inside the mortise, and release it.



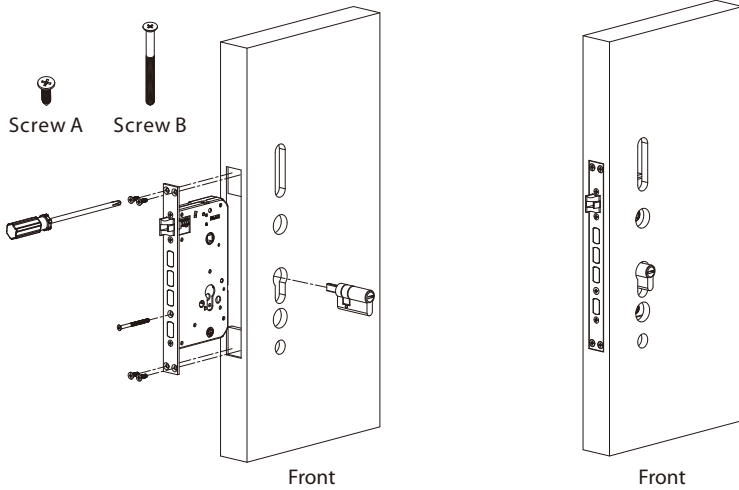
2 Drill Holes on the Door

- 1) Place the installation template at the desired height.
- 2) Mark the holes to be drilled and drill the marked locations.



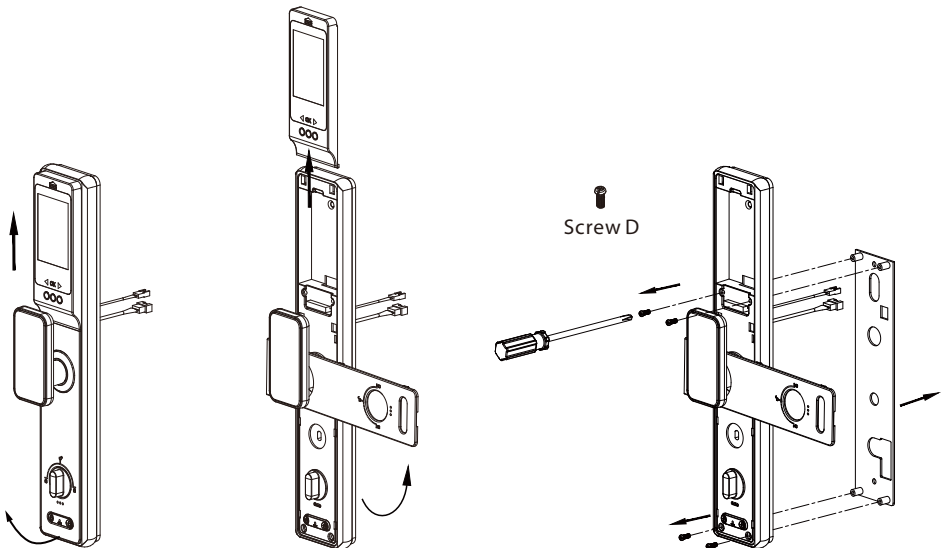
3 Install Mortise and Cylinder

- 1) Put the Mortise into the hole that was drilled, and secure the Mortise with Screw A.
- 2) Insert the Cylinder into the Mortise (the front sides and back sides) and secure it with Screw B.



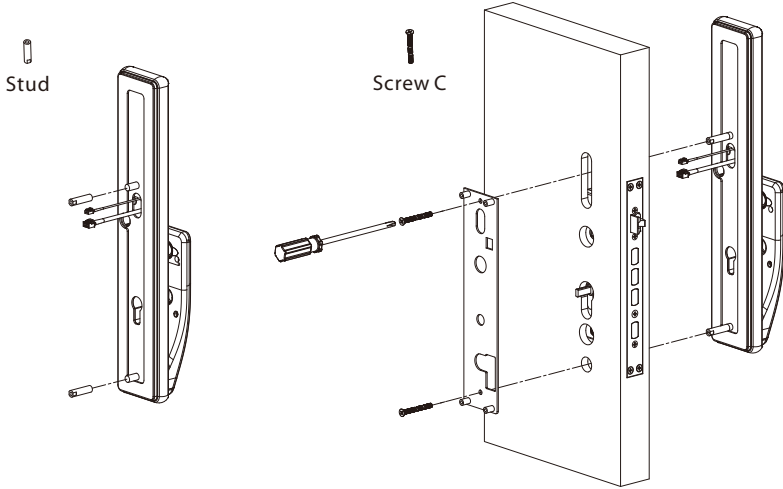
4 Uninstall the OLED Screen and Mounting Plate

- 1) Uninstall the OLED screen by pushing up, then uncover the hidden cover from the bottom of indoor unit.
- 2) Uninstall the screw D and take the Mounting Plate off the indoor unit.



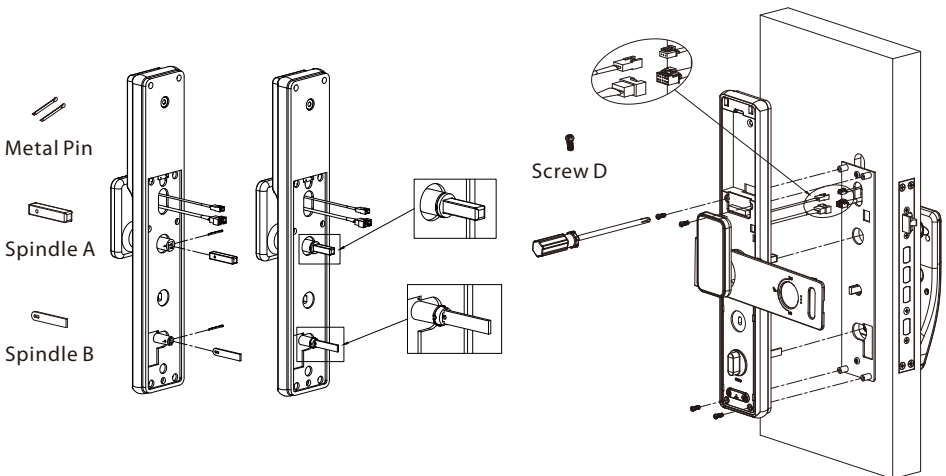
5 Install Studs and Outdoor Unit

- 1) Install the studs on the back of outdoor unit.
- 2) Pass the outdoor unit cable through the upper most cable hole.
- 3) Attach the Outdoor unit to the door by inserting the studs through the drilled holes.
- 4) Place the Mounting Plate on the inside door and use Screw C to secure them.



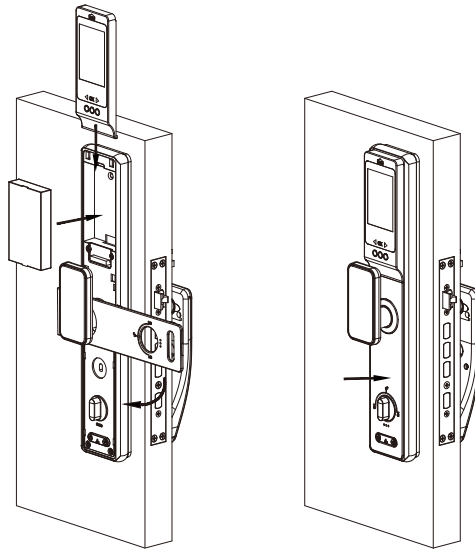
6 Install Indoor Unit

- 1) Install Spindle A and Spindle B with Metal Pin.
- 2) Connect the cable to the port on the Indoor Unit.
- 3) Place the Indoor Unit properly on the Mounting Plate. Then use Screw D to secure the Indoor Unit.



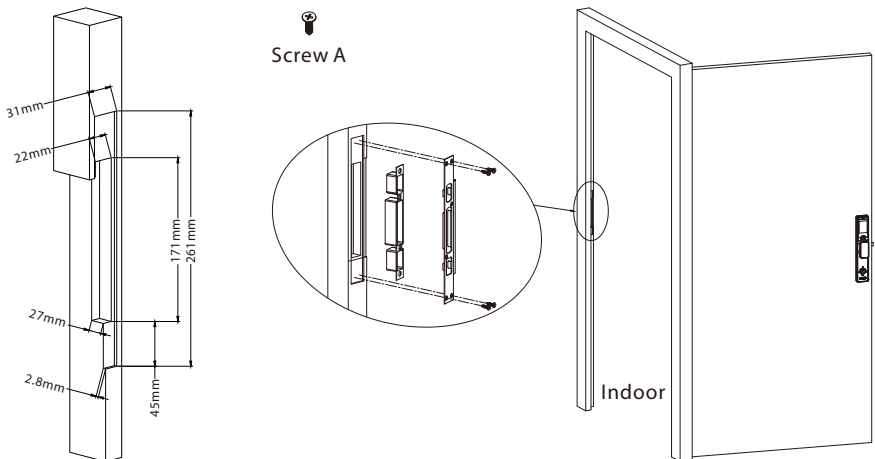
7 Install Batteries and Cover

Insert Lithium Battery and cover them with an OLED Screen model, then push back the hidden cover.



8 Install Strike Plate and Box

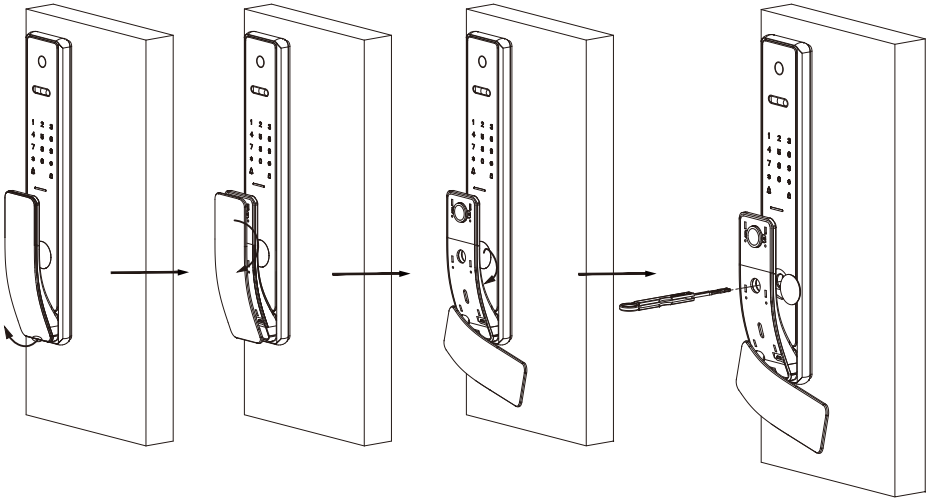
- 1) Make sure that the Strike Box is aligned with the latch bolt. Then, use the installation template to drill the holes.
- 2) Align the Strike Plate and Box with the holes drilled and protect them with Screw A.



9 Physical Test

Test the lock by using the mechanical key.

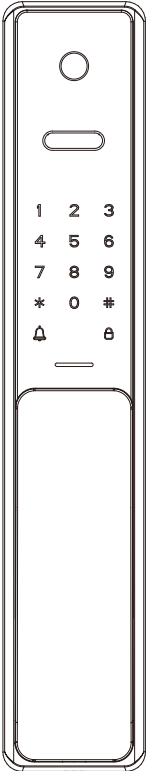
- 1) Uncover the front handle cover from the bottom of outdoor unit, then rotate the cover 90°.
- 2) Press the bottom of key hole cover and rotate it 180°.
- 3) Insert the Key into key hole and rotate 90°, then the latches will be retracted.



User Manual

Model: HBL400

Version: 1.0



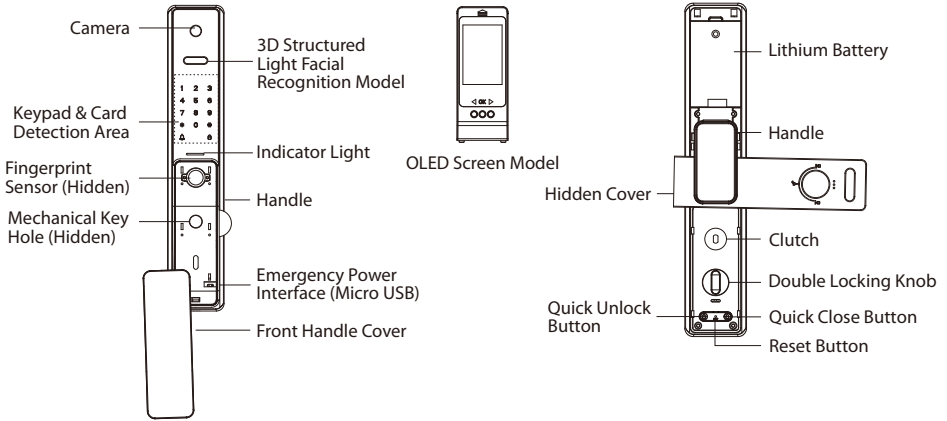
Important Notes

1. HBL400 is an intelligent Smart Lock. If the lock is not installed properly, it may affect the lifetime of the lock. We suggest you to install the lock after furnishing. Please prefer a professional technician to install the lock as per our installation standard.
2. Please initialize the lock after installation and set the Administrator immediately to avoid others opening the door illegally.
3. To ensure your security, please check the box of keys when opening the product package.
4. Please keep your Administrator's information confidential.
5. Please keep the mechanical keys in a separate place to avoid any criticality.
6. To use the lock more efficiently, please refer the User Manual before using the lock. If you have any queries, please feel free to contact the Company's Client Service Center from any place or contact the Service Center headquarters.
7. Please visit our company's website at anytime for our service information and regular updates on products.

Table of Contents

| | |
|--|----|
| Product Overview | 1 |
| Definitions | 1 |
| How to Use | 2 |
| 1. Reset the Lock..... | 2 |
| 2. Activate the Lock..... | 2 |
| 3. Mechanical Adjustment..... | 2 |
| 4. Register the First Administrator..... | 3 |
| 5. Programming the Features through Menu Mode..... | 3 |
| Quick Start | 5 |
| Unlocking Door with Face..... | 5 |
| Unlocking Door with Fingerprint..... | 5 |
| Unlocking Door with Password..... | 5 |
| Unlocking Door with Card..... | 5 |
| How to use OLED Screen Model? | 6 |
| Overview..... | 6 |
| Programming the Features through Menu Mode..... | 6 |
| How to connect USmart Go APP? | 8 |
| Setting..... | 8 |
| Functions..... | 11 |

Product Overview



Definitions

User Roles: The lock can be handled by two user roles namely Administrator and User. The Administrator has the privilege to access the menu and also to open the door. The user has the only privilege to open the door.

Initialization: All the registered user data will be deleted and it will be restored to the factory settings.

Random Password: To protect the password, users may enter their password with random digits before or after the actual password. The maximum number of entered digits must be less than or equal to 30. For example: If the correct password is 123456, then the random password can be 89123456807, 1234562363, 389123456, etc.

Backup Enrollment: After the first registration, users can change the registered password and card, or continue to register the remaining fingerprints.

Always Open Mode: This function is to keep the door always unlocked, which is suitable for meeting rooms and places with no access restriction.

Low Battery Warning: When the battery power is low, the lock will prompt "Low battery, please change!" after being turned on. If lower, the lock will prompt "Low battery, shut down soon!", users cannot access the Main Menu.

Emergency Charging: The bottom of the outdoor unit is provided with a Micro-USB interface. Use a power bank to charge the lock when it is out of power.

Emergency Mechanical Key: The mechanical key is used to open the door when the lock has electronic malfunction.

Double Locking: Double locking prevents the lock from being unlocked from the outside. Users can enable it by rotating the double locking knob.

Debug Mode: It is used to change open direction, the power of motor and demonstration under factory status. After adding any one user, this mode will be invalid.

Quick Close Function: Press Quick Close Key on keypad or Quick Close Button on the bottom of indoor unit, the latches will pop-up automatically to lock.

How to Use

1 Reset the Lock

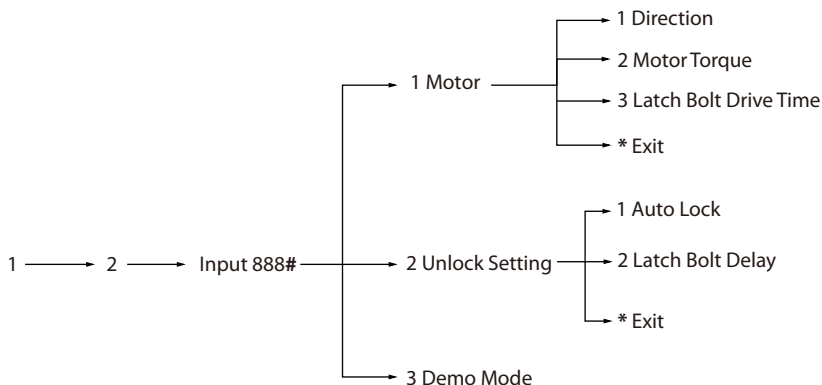
Press and hold the Reset button for 5 seconds. The lock will beep for 5 times. Keep holding the Reset button until you hear the audio prompt, please press # key to confirm.

2 Activate the Lock

Touch the keypad with the back of your hand or fingers to activate the lock.

3 Mechanical Adjustment

Before using formally, need to make some mechanical adjustment to eliminate something wrong. The programming is as below:



4 Register the First Administrator

Press and hold the Reset button for 5 seconds. The lock will beep for 5 times. Keep holding the Reset button until you hear the audio prompt, please press # key to confirm.

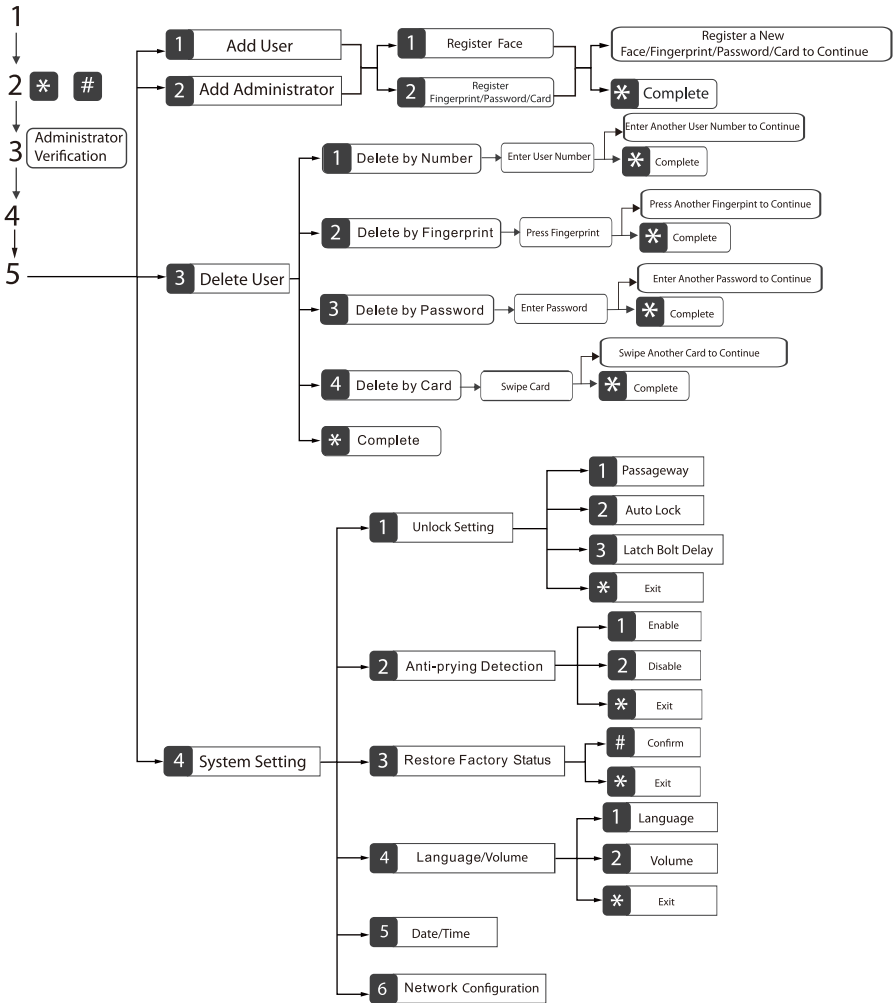
- 1) Touch the keypad to activate the lock.
- 2) Press the * # key to start the registration process. The user will hear a prompt "Please register administrator, please enter fingerprint, password, access card, press star to exit".
- 3) Press the fingerprint for five times, or enter the group password, or swipe the access card.
- 4) Proceed further according to prompts.

5 Programming the Features through Menu Mode

- 1) Touch the keypad to activate the lock.
- 2) Press the * # key to access the menu.
- 3) Verify the administrator's identity with his/her fingerprint or card, or by entering the password then press the # key to confirm.
- 4) Enter the digit corresponding to the function to be performed by following the audio guide.

Note:

- 1) The registered password can be of 6 to 12 digits.
- 2) The currently logged-in administrator cannot delete his/her admin data.



Note:

- 1) The first administrator can not be a Face.
- 2) While registering the Face, you need to look at the 3D Structured Light Facial Recognition Model for few seconds.
- 3) To delete the Face, only do that by entering the number.
- 4) The 3D Structured Light facial recognition function is not really suitable for strong sunlight environments, if unlock at this environments, please verify with fingerprint/password/card/key.

Quick Start

▲ Attention: If the verification has failed for five times consecutively, the lock will generate an alarm.

Unlocking Door with Face

Stand in front of the smart lock about 60cm apart



Look at the 3D Structured Light Facial Recognition Model

Note: It will wake up and verify your face automatically. If it does not wake up automatically, then you need to wake up the lock manually.

Unlocking Door with Fingerprint

Hold the handle of the outdoor unit



Press the registered fingerprint on the fingerprint sensor

Unlocking Door with Password

Touch the keypad to activate the lock



Enter the registered password and press the # key to confirm

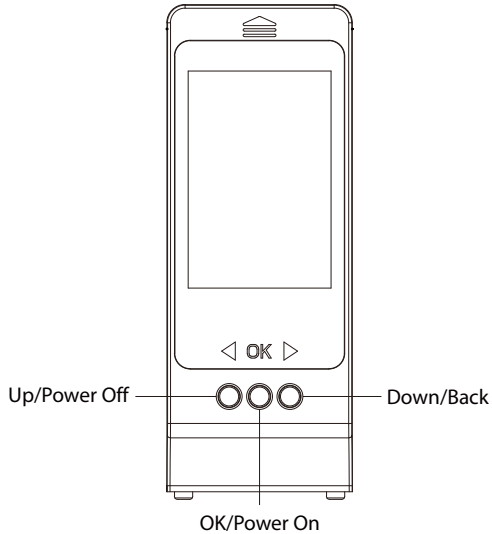
Note: Users may enter a random password to prevent any person from observing the password. The maximum length of random password is upto 32 digits.

Unlocking Door with Card

Swipe the registered card on the detection area

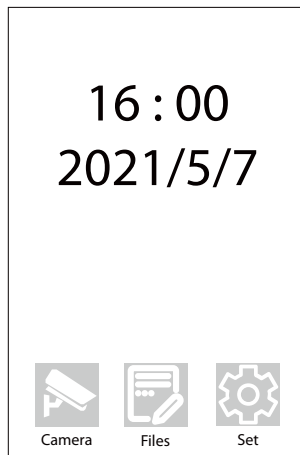
How to use OLED Screen Model?

Overview



Programming the Features through Menu Mode

- 1) Press Power On button to activate the model (camera mode).
- 2) Press Down button to enter menu, choose Camera, Files or Set mode freely through buttons.



Camera: Go to camera mode, customer can watch outside through the camera on outdoor unit.

Files: All of photographs and videos are saved at here, before using this function, please insert a TF on this model.

Set: It is used to set functions of this model. As below:

- 1) **Record Mode:** Choose **Photograph** or **Record** (video) as records saving mode.
- 2) **Continuous Shooting:** Set the number of pictures one shooting, two or five, press **OK** button to shoot at camera mode.
- 3) **Door Answer:** Choose **Handmovement**, when press doorbell key, the model will not power on until press power on button inside; choose **Auto**, when press doorbell key, the model will power on automatically.
- 4) **Camera Angle:** Choose **All Angle**, customer can watch 360° scenario, but the shape of objects will distort, choose **Undeformed**, will not.
- 5) **Auto Power Off:** Schedule the power off timing.
- 6) **Language:** Change the language of this model.
- 7) **Date/Time:** Set the date and time of this model.
- 8) **Format:** Will delete all of data in TF card, please considerate.
- 9) **Default Setting:** Every setting of the model will be changed to Chinese and all of data in TF card will be deleted, please considerate. If just want to delete data, please carry out in Format.
- 10) **Version:** To check the firmware version of this model.
- 11) **WIFI Quality:** Set the clarity of pictures and video under WIFI configuration.

USB Adapter Requirement: DC 5V, 2A

How to connect USmart Go APP?

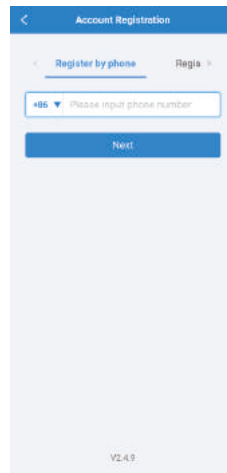
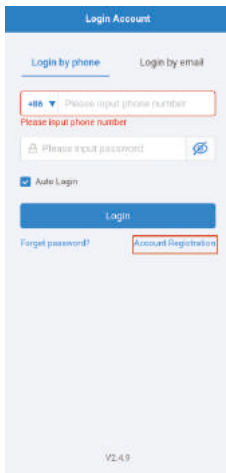
Setting

Step 1: Download the App

Search "**USmart Go**" on Apple App Store or Google Play Store on your iOS/ Android device.

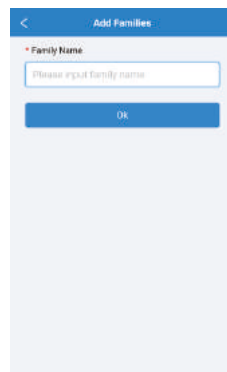
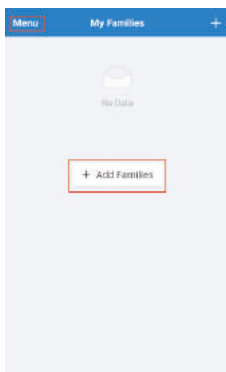
Step 2: Create an Account

Launch the "**USmart Go**" App and register an account, you can register by your phone number or email address.



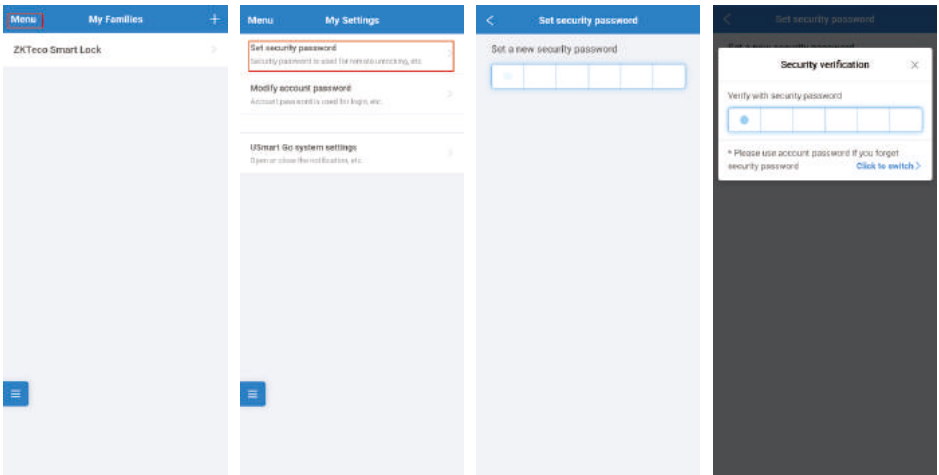
Step 3: Create Family

Every device associated with a Family needs to follow the steps to create a family: **Menu** -> "**My Families**" -> "+" button, or click "**+ Add Families**" button directly (only fit for no families before situation).



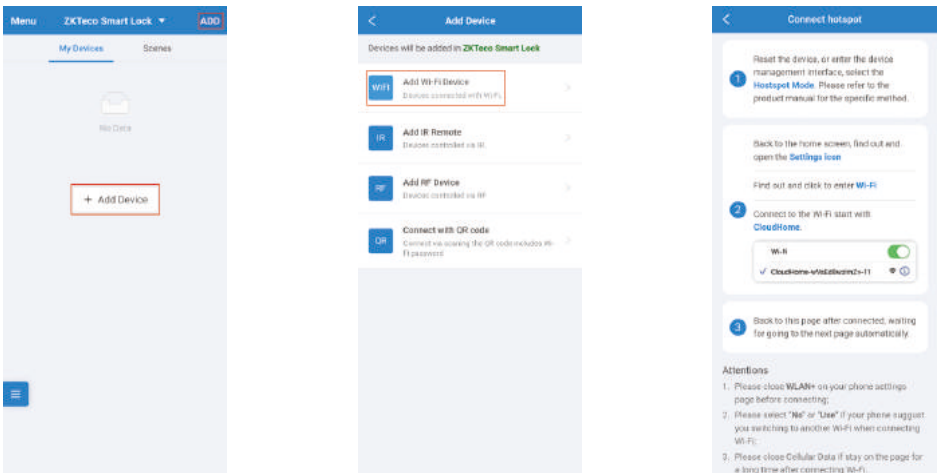
Step 4: Setting Security Password

You'll need to setup a security password for two-step verification. Following are the steps:
Menu -> "My Settings" -> "Set security password".



Step 5: Connect the Lock

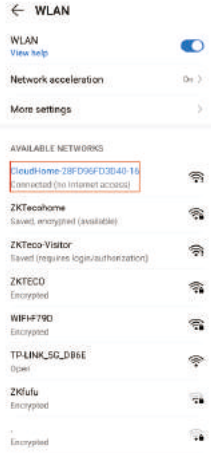
Launch the App, click **"+ Add Device"** button directly (only fit for no device before situation), or click the **"ADD"** button at the upper right corner, choose **"Add Wi-Fi Device"** item, you'll see **Connect hotspot** page.



- 1) Press the **"* #"** key and verify administrator on the lock to enter administrator menu. Click **"4"** -> **"6"** to enter the network configuration mode.
- 2) Go to the WLAN setting on your phone, and connect to the Wi-Fi with the name as "CloudHome-XXXX-16".

Note:

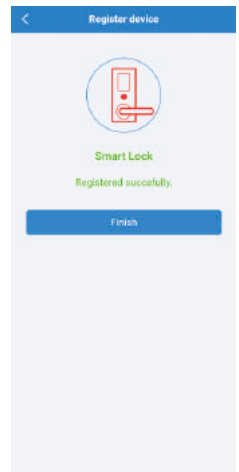
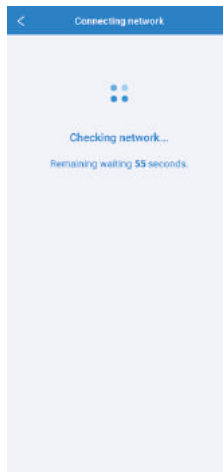
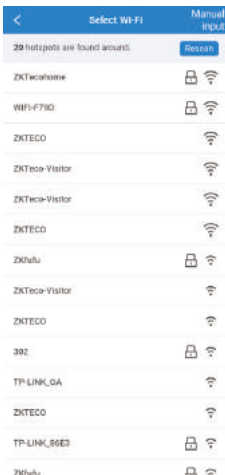
- 1) Please close WLAN on your phone setting page before connecting.
- 2) Please select "No" or "Use" if your phone suggest you to switch to another Wi-Fi when connecting Wi-Fi.



Step 6: Finish

After getting connected, please go back to **Connect hotspot** page, and wait for the page until it goes to **Select Wi-Fi** page then connect a valid Wi-Fi and wait until finish.

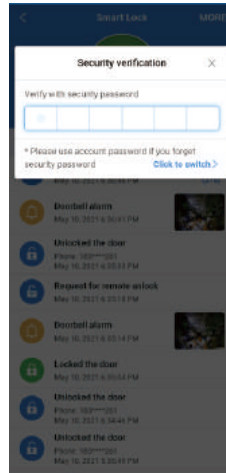
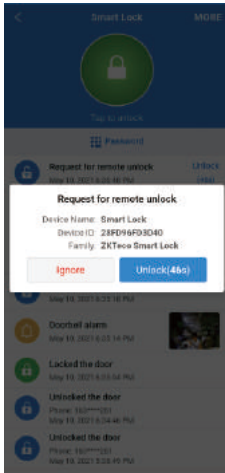
Note: Please close Cellular Data if you are staying on **Connect hotspot** page for a long time after connecting Wi-Fi.



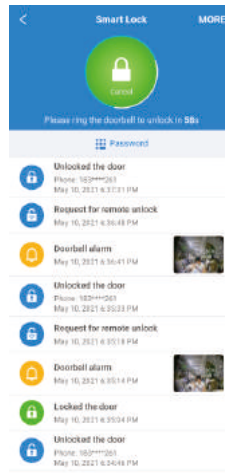
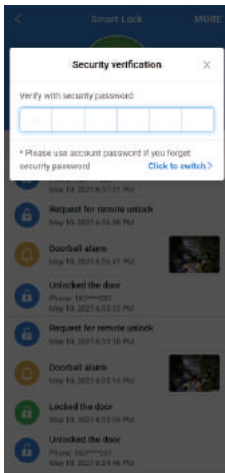
Functions

1. Remote Unlock

Guest Require: Press "**Doorbell**" key twice within 30s on the keypad to trigger a remote unlock request then you'll see a popup window on our app where you need to enter your security password to unlock.



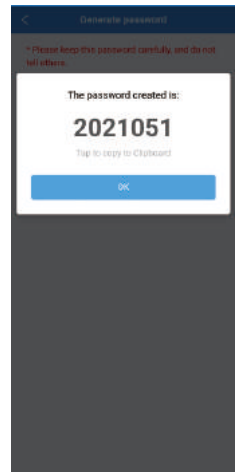
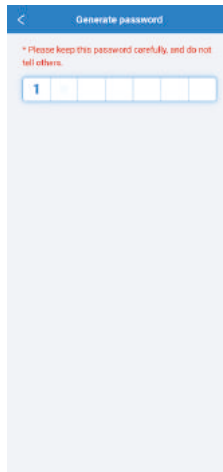
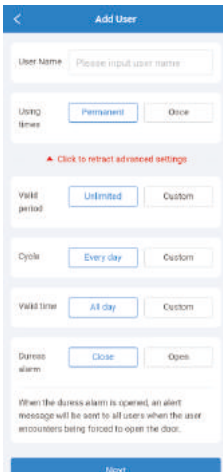
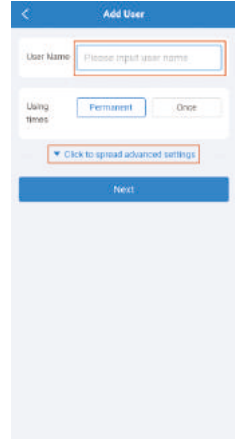
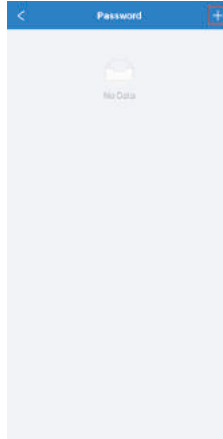
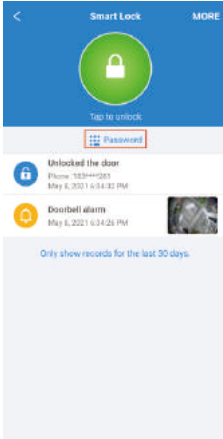
Owner self-unlock : Click the **Unlock** icon, you'll see a popup window on our app then enter your security password to verify and press the "**Doorbell**" key once, the lock will unlock.



2. Add User

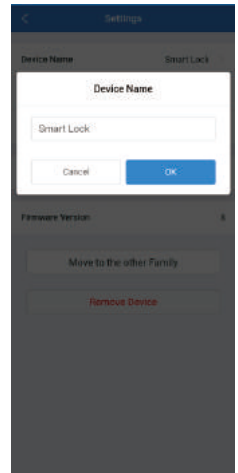
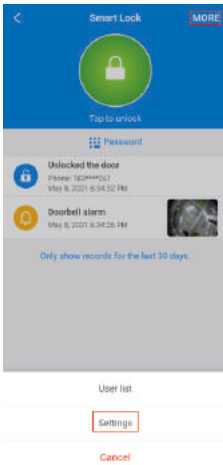
Click **"Password"** button on lock page, then click **"+"** on the top right corner to change to **Add User** page and fill out the authorizations information, then click **"Next"** to generate password.

Note: Password is 7digits on the **Generate password** page, the last one is "1" by default.



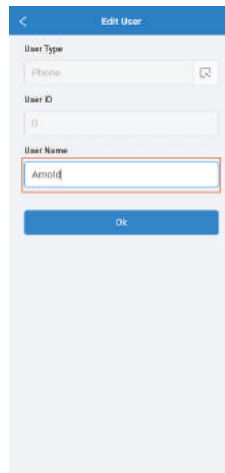
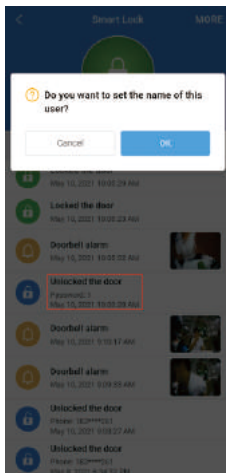
3. Name the Lock

Click the **“More”** button on the lock page, a popup window will be appeared, choose **“Settings”** to go to the **Setting** page, then click the **Device Name** to rename this lock and after finishing, click **OK** button.



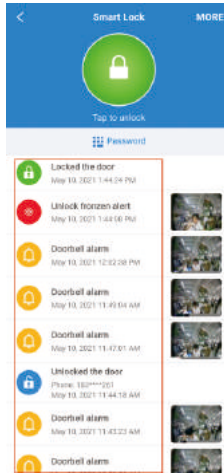
4. Mark the App Remote Unlock Person to be a User

Click an unlock event to go to the **Edit User** page, then name the user at the blank, after finishing, click **OK** button.



5. Check Records

All of the event records are displayed on the lock page, customer can click them to check.





Warning:

This device complies with Part 15 of the FCC Rules. Operation is subject to the following two conditions: (1) This device may not cause harmful interference, and (2) this device must accept any interference received, including interference that may cause undesired operation.

This equipment has been tested and found to comply with the limits for a Class B digital device, pursuant to Part 15 of the FCC Rules. These limits are designed to provide reasonable protection against harmful interference in a residential installation. This equipment generates, uses, and can radiate radio frequency energy and, if not installed and used in accordance with the instructions, may cause harmful interference to radio communications. However, there is no guarantee that interference will not occur in a particular installation. If this equipment does cause harmful interference to radio or television reception, which can be determined by turning the equipment off and on, the user is encouraged to try to correct the interference by one or more of the following measures:

- Reorient or relocate the receiving antenna.
- Increase the separation between the equipment and receiver.
- Connect the equipment into an outlet on a circuit different from that to which the receiver is connected.
- Consult the dealer or an experienced radio/TV technician for help.

FCC RF Radiation Exposure Statement:

- This Transmitter must not be co-located or operating in conjunction with any other antenna or transmitter.
- This equipment complies with RF radiation exposure limits set forth for an uncontrolled environment.

IMPORTANT! Any changes or modifications not expressly approved by the party responsible for compliance could void the user's authority to operate the equipment.