

Description



- Motion detector (PIR)
- 2 channels
- For controlling lighting in outdoor areas
- Blended light measurement suitable for the control of fluorescent, incandescent and halogen lamps
- Adjustable sensor head
- Additional creep under protection via remote control
- Detection area can be limited using enclosed segments
- Settings per ETS: Brightness range and switch-off delay
- Set point adjustment of brightness either via object or potentiometer
- Following functions: Lighting ON/OFF, time functions, locking the motion detector
- Lighting control with adjustable light threshold value and adjustable switch-off delay
- Memorising of current brightness value possible via remote control
- Setting controls protected against manipulation
- Single-handed plug-in installation with captive screws

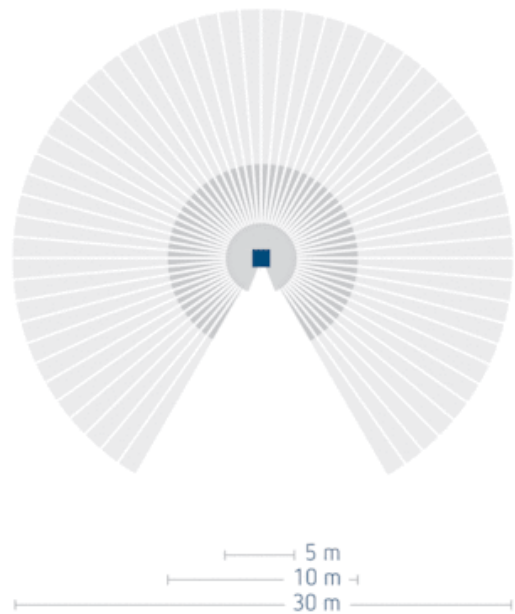
Technical data

Operating voltage KNX	Bus voltage, <10 mA
Setting range brightness	0 – 650 lx
Detection angle	300°
Creep under protection	Ø 5 m
Number of channels	2
Installation type	Wall and ceiling installation
Light switch-off delay	1 s - 120 min
Lamps	Incandescent/halogen lamps, fluorescent lamps, Energy saving lamps, LEDs
Light measurement	Mixed light measurement
Ambient temperature	-20 °C ... +55 °C
Colour	Pure white (similar to RAL 9010)
Protection class	II according to EN 60 335
Type of protection	IP 55

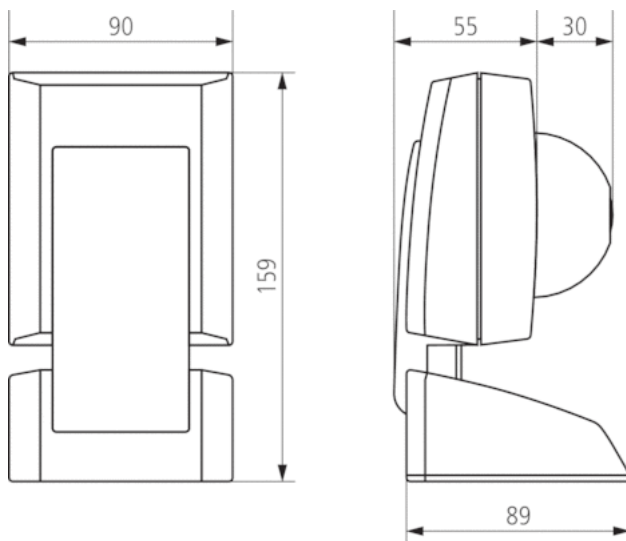
Article number: 1059203

Detection range

Mounting height (A)	Head on to (r)	Diagonally (t)
2,5 m	10 m	30 m



Scale drawings



Accessories

SPHINX RC 105 Pro

- Article number: 9070537
[Details ▶ www.theben.de](http://www.theben.de)



SPHINX RC 105

- Article number: 9070539
[Details ▶ www.theben.de](http://www.theben.de)



SPHINX corner angle

- Article number: 9070535
[Details ▶ www.theben.de](http://www.theben.de)

